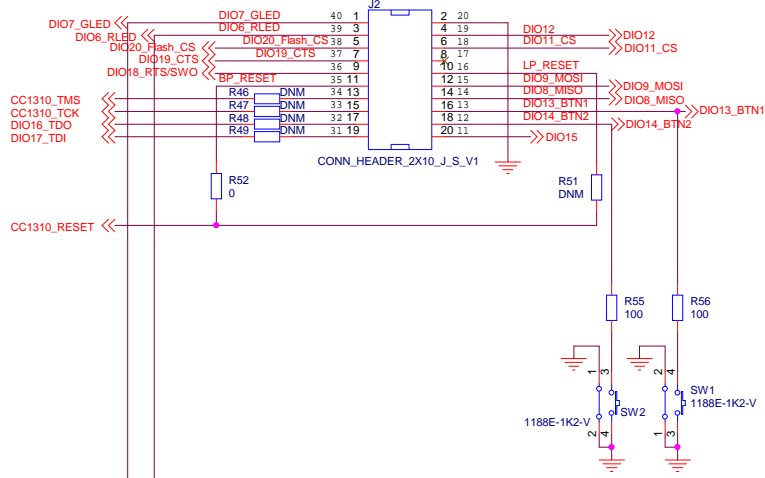
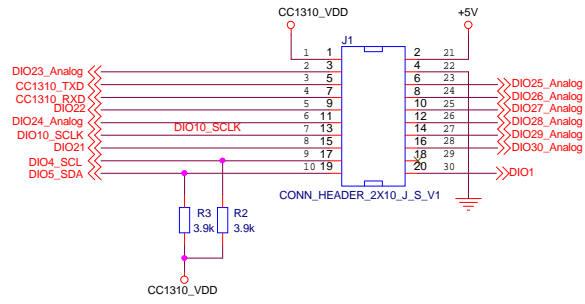
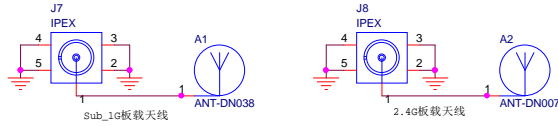
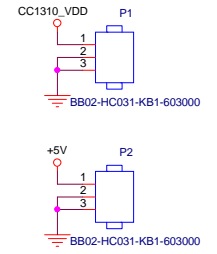


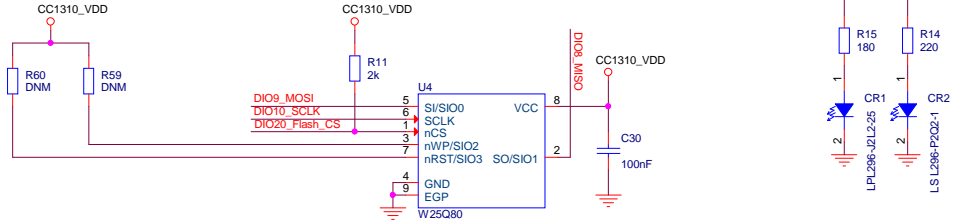
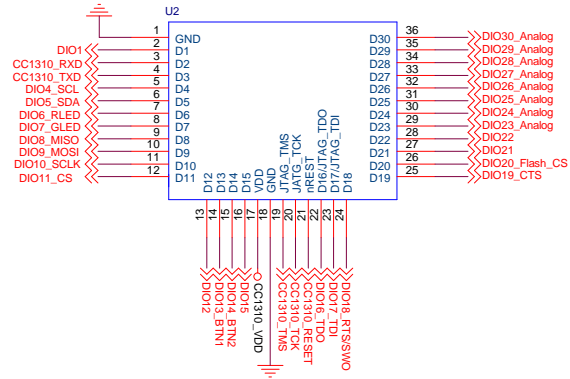
BoosterPack Headers and Peripherals



5V and 3V header

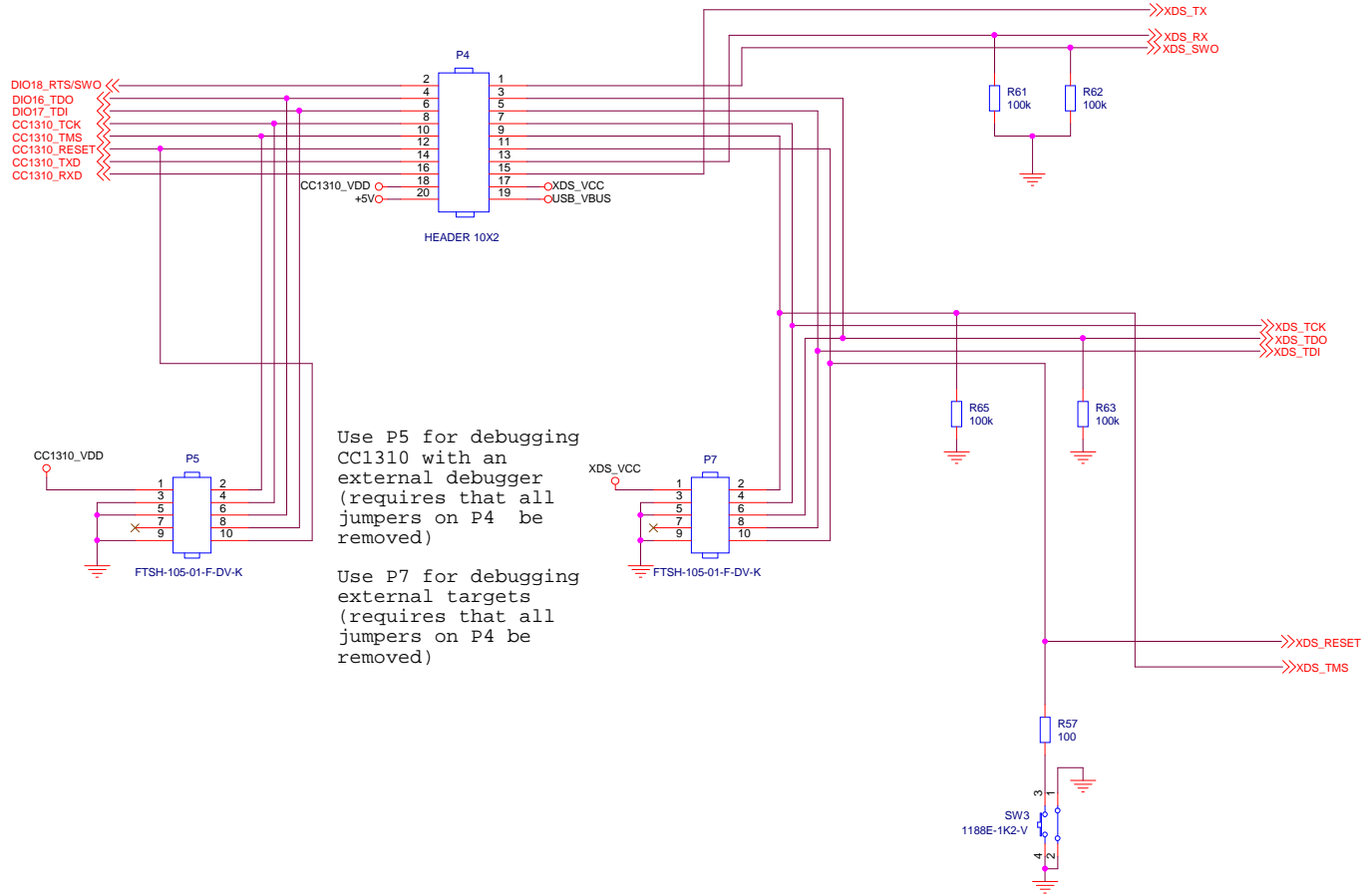


CC13X0/CC26X0 Module



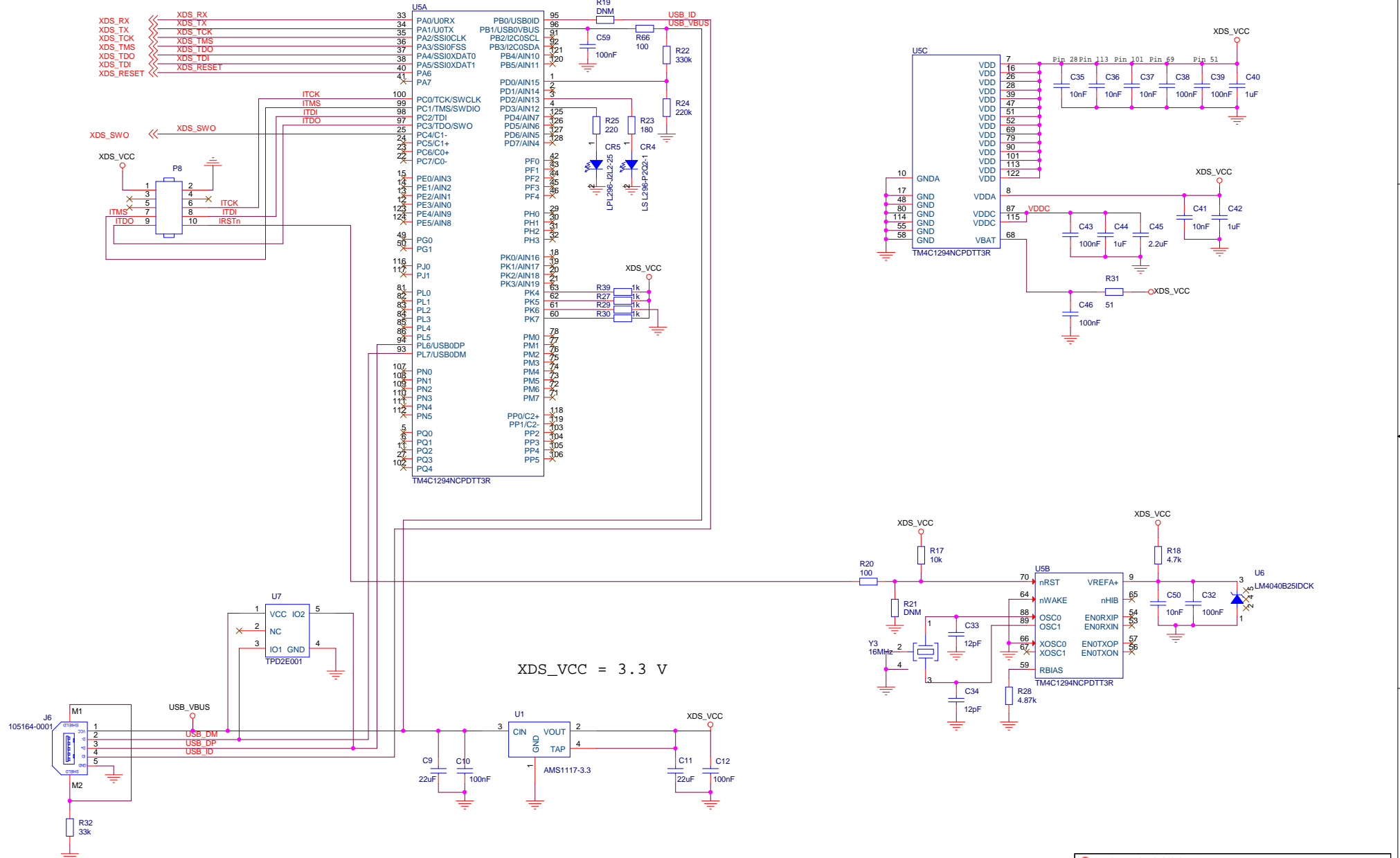
成都乐畅联科技有限公司		
Title: CC13x0/CC26x0 LaunchPad		
Size: A3	Document Number: LE-Lunchpad-01	Rev: V1.0
Date: Monday, June 26, 2017	Sheet: 1	of: 3

XDS110 Debugger Interface



成都乐控物联科技有限公司		
Title CC13x0/CC26x0 LaunchPad		
Size A3	Document Number LE-Lunchpad-01	Rev V1.0
Date: Monday, June 26, 2017	Sheet 2	of 3

XDS110 Debugger



XDS_VCC = 3.3 V

成都乐控微联科技有限公司		
Title CC13x0/CC26x0 LaunchPad		
Size A3	Document Number LE-Launchpad-01	Rev V1.0
Date: Monday, June 26, 2017	Sheet 3	of 3